

 NEMO

BASALTINA STONE PROJECT

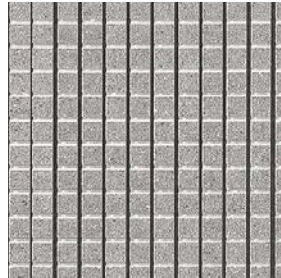


# BASALTINA STONE PROJECT COLORS

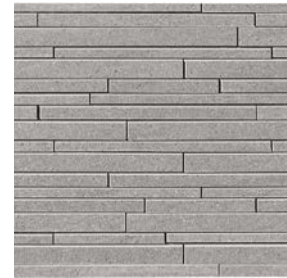
PORCELAIN TILE



SABBIATA



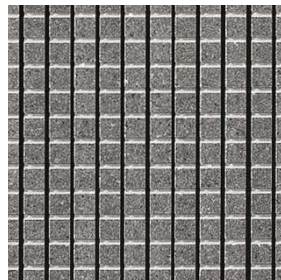
SABBIATA MOSAIC



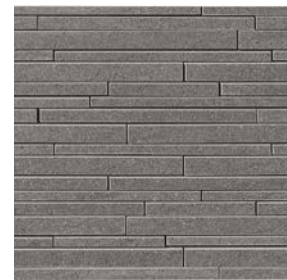
SABBIATA MURETTO



NATURALE



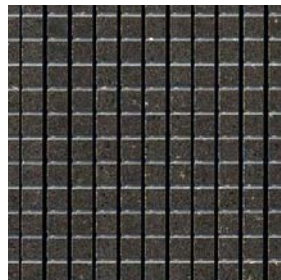
NATURALE  
MOSAIC



NATURALE  
MURETTO



STUCCATA



STUCCATA  
MOSAIC



STUCCATA  
MURETTO



TEXTURE



**V3**

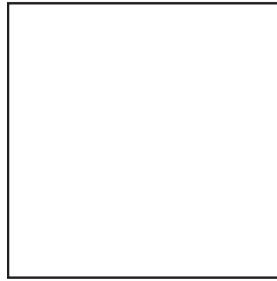
Moderate Variation

# BASALTINA STONE PROJECT

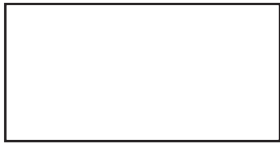
## SIZES



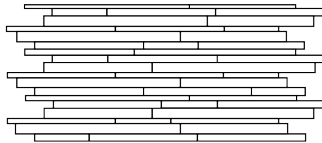
24" x 48"



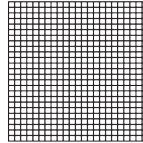
24" x 24"



12" x 24"



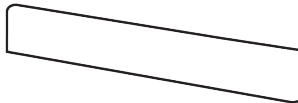
Muretto Mosaic on  
12" x 24" Mesh Sheet



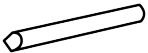
Grid Mosaic on  
12" x 12" Mesh Sheet



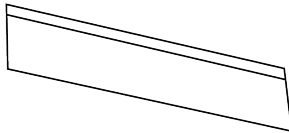
.5" x .5" Beak Jolly



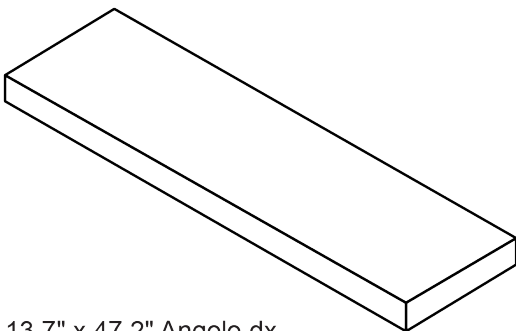
4" x 24" Bullnose



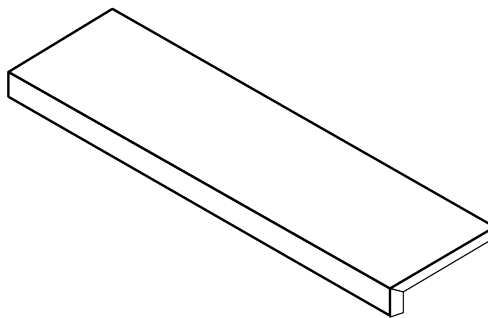
.5" x 11.8" Raccordo Jolly



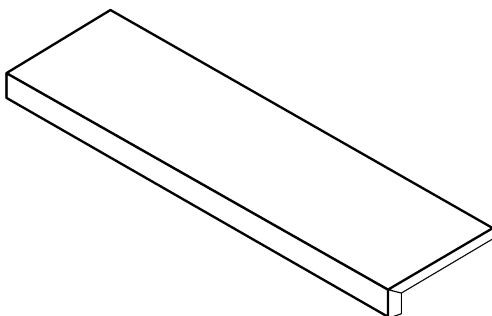
.4" x 24" Battiscopa



13.7" x 47.2" Angolo dx  
gradino Plus



13.7" x 47.2" Angolo sx  
gradino Plus



13.7" x 47.2" Gradino Plus



## FULL BODY PORCELAIN

THICKNESS 11 mm / 12 mm

Features	Test Method	Plain Tile
Water Absorption	ISO 10545-3	≤ 0.04 %
Frost Resistance	ISO 10545-12	Resistant
Bending Strength	ISO 10545-4	≥ 50 N/mm <sup>2</sup>
Breaking Strength	ISO 10545-4	≥ 3000 N
Resistance to Deep Abrasion	ISO 10545-6	≤ 145 <sup>5</sup> mm <sup>b</sup>
Thermal Expansion	ISO 10545-8	$\alpha \leq 7 \times 10^{-6} \text{ } ^\circ\text{C}$
Thermal Shock Resistance	ISO 10545-9	Resistant
Chemical Resistance	ISO 10545-13	uha & ula Resistant
Stain Resistance	ISO 10545-14	5 Resistant
Slip Resistance	DIN 51130	R10 (naturale texture / stuccata / sabbiata velvet) R11 (sabbiata / scalpellata)
Slip Resistance	DIN 51097	A+B+C (sabbiata / scalpellata)
Dynamic Friction Coefficient	B.C.R. tortus	$\mu > 0.40$ (sabbiata/sabbiata velvet / scalpellata / naturale / scalpellata / texture naturale)
Coefficient of Friction	ASTM C 1028	wet / dry COF ≥ 0.60 (sabbiata / sabbiata velvet / scalpellata / naturale / stuccata / texture naturale)
Dynamic Coefficient of Friction (DCOF)	ANSI A 137.1 : 2012 (BOT 3000)	DCOF ≥ 0.42 (naturale / stuccata / sabbiata velvet) DCOF ≥ 0.62 (sabbiata / scalpellata)
Wet Pendulum Test AUS	AS 4586 : 2013	Class W (sabbiata / scalpellata)
Pendulum Test UK	BS 7976 : 2002	slider 96 wet: 36+ (sabbiata / scalpellata) slider 55 wet: 36+ (sabbiata / scalpellata)

www



## BASALTINA STONE PROJECT